

LWBE-133 Series

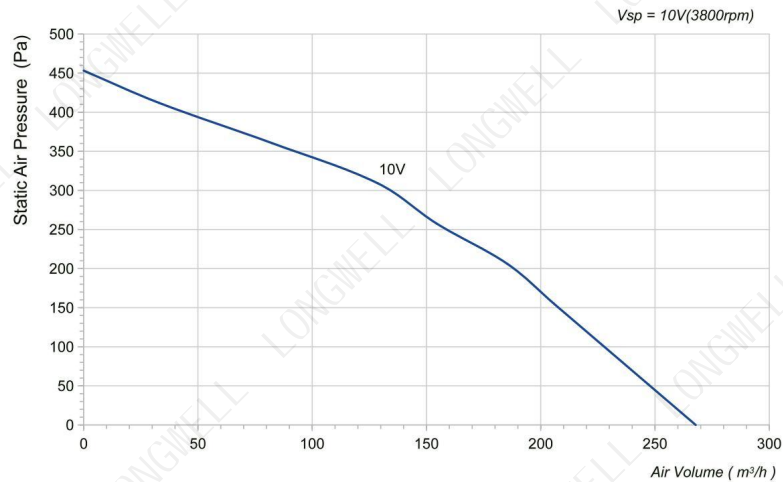
Product Characteristic

- Impeller Material: PA6+GF
- Supply Voltage: 230V,50/60Hz
- Mode Of Operation: S1
- Protection Class: IP55
- Insulation Class: F
- Operation Temperature: -25℃ ~ +60℃
- Technical Feature: Control input 0-10VDC/PWM, Tech output, Locked-Rotor protection, Reverse Polarity Over-voltage protection, Soft Start Protection.

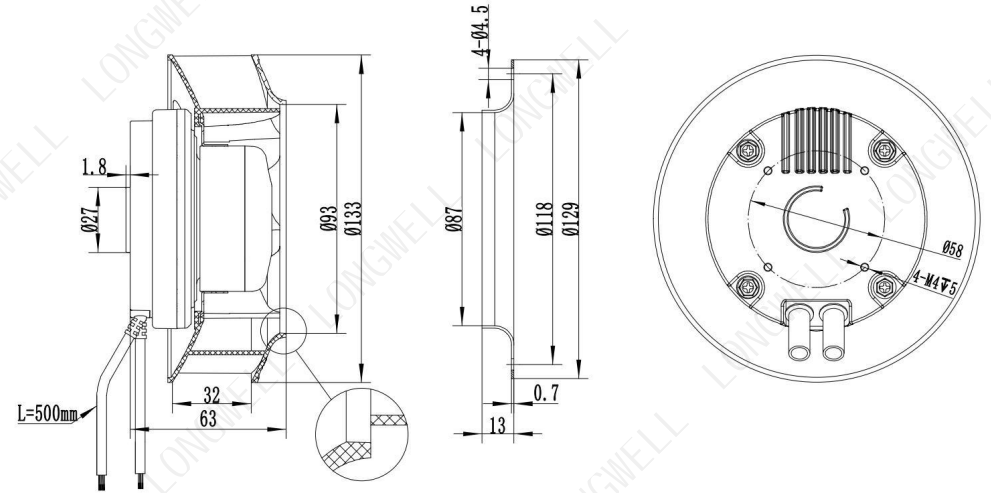


Technical Specifications

| Model | Voltage (V) | Input Power (W) | Current (A) | Air Volume (m³/h) | Static Pressure (Pa) | Speed (RPM) | Noise [dB(A)] |
|--------------------|-------------|-----------------|-------------|-------------------|----------------------|-------------|---------------|
| LWBE3G133-072PS-02 | 230 | 30 | 0.23 | 268 | 453 | 3800 | 63 |



LWBE3G133-072NS-07 (without bracket)



LWBE3G133-072PS-02 (with bracket)

